



# Deck Tile Installation Guide

v20190426US



**NewTechWood**

## IMPORTANT:

# Read All Sections Before You Start

For the most up to date information, please visit our website @ [www.newtechwood.com](http://www.newtechwood.com)

Prior to installing any composite product, it is recommended that you check with local building codes for any special requirements or restrictions. The diagrams and instructions outlined in this guide are for illustration purposes only and are not meant or implied to replace a licensed professional. Any construction or use of NewTechWood must be in accordance with all local zoning and/or building codes. The consumer assumes all risks and liability associated with the construction and use of this product.

## Safety

When dealing with any type of construction project, it is necessary to wear appropriate safety equipment to avoid any risk of injuries. NewTechWood recommends but is not limited to the following safety equipment when handling, cutting, and installing the Deck Tile: gloves, a respiratory protection, long sleeves, pants, and safety glasses.

## Tools

Standard woodworking tools may be used. It is recommended that all blades have a carbide tip.

## Environment

A clean, smooth, flat, and strong surface is needed to install Deck Tile correctly. Please check with local building codes before ever installing any type of decking. If installation does not occur immediately, NewTechWood's products need to be put on a flat surface at all times. Never ever should it be put on a surface that is NOT flat.

## Static

Static can also be more prevalent in areas that are of higher altitude because the humidity is lower. For these areas, be careful of using conducive objects such as metal railing and chairs as static shocks might occur more often. A potential way to lower the amount of static shocks occurring is to apply Staticide ([www.aclstaticide.com](http://www.aclstaticide.com)) on your deck or use anti-static mats before doorways. NewTechWood's products have been tested against EN 1815 - Assessment of Static Electrical Propensity and have received values under the maximum standard of 2kV.

## Layout

Before installing the Deck Tile, always make sure that you are installing it on a clean smooth flat surface. The Deck Tile CANNOT be installed on places such as dirt, soil, or raised structure it must be laid out on a flat solid surface.

**Continuous installations with dimensions longer than 30 feet (9144 mm) in any direction are not recommended. If your installation is longer than 30 feet (9144 mm), use the Straight Fascia (US-QD-ST-ZX) pieces as a breaker, positioned back to back to allow for proper expansion of the deck tiles, particularly when installing in temperatures less than 60°F.** Leave a 1/4" (6 mm) gap between the fascia pieces for expansion of the deck tiles. Failure to include this break in installations longer than 30 feet (9144 mm), may result in center tiles pushing up from the surface. If this occurs, you may disconnect the tiles in the middle and install the above break retroactively.

## Installing Deck Tile:

The Deck Tile is relatively easy to install using its four side interlocking base making it very user friendly. Each side has two male and female connectors that connect to an adjacent tile, these connectors are circled in Diagram 1.

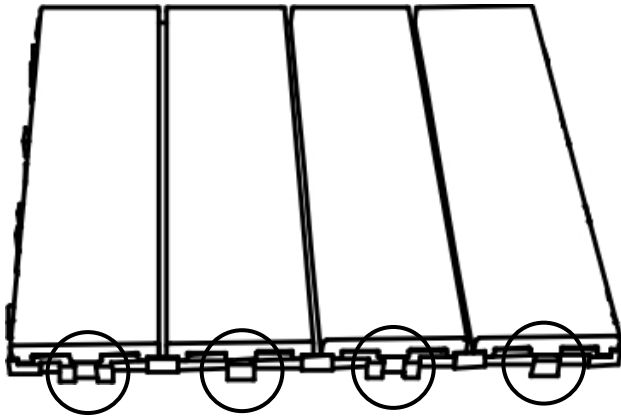


DIAGRAM 1

- 1 Place the first tile in a corner along the edge of the area you will be installing as shown in Diagram 2.

**Note:** There must be at least a 1/2 inch gap (13 mm) between walls or any object to allow for expansion and contraction. Failure to do so could result in warping of the tile, buckling, or other damage.

This gap must be respected even when a trim or fascia is used on the deck tile.

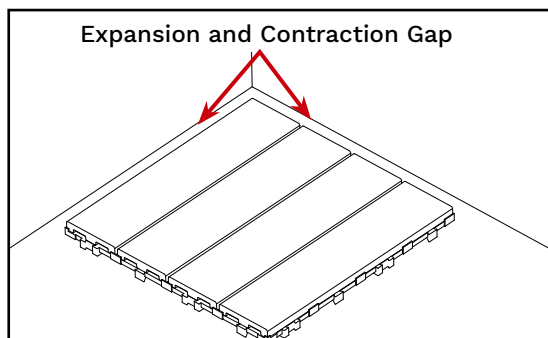


DIAGRAM 2

- 2 Next, take another tile and determine which type of pattern/style you like to do. Vertical is shown in Diagram 3 and horizontal is shown in Diagram 4.

**Protip:** Mix around the different styles (vertical and horizontal) to give your deck a unique look.

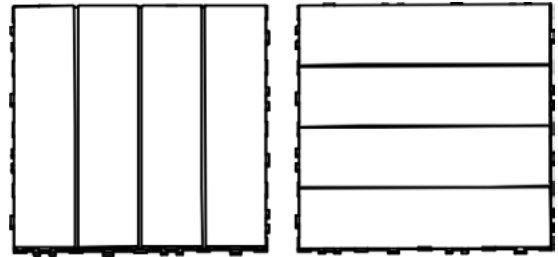


DIAGRAM 3

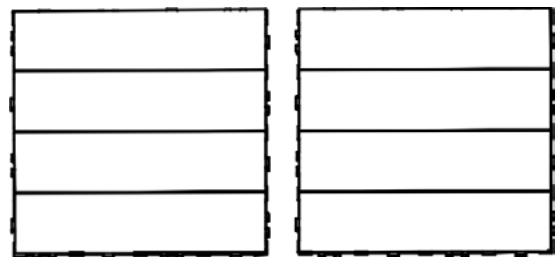


DIAGRAM 4

- 3 Now, take the second tile and align the connectors up with the first tile as shown in Diagram 5.

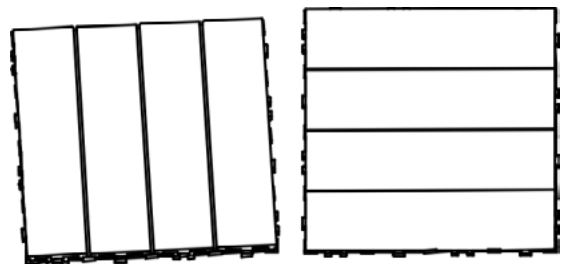


DIAGRAM 5

- 4 Then, attach the first two connectors into each other as shown in Diagram 6. You might need to lift up on one of the tiles to get a better grip.

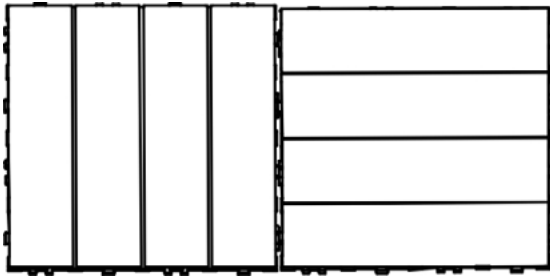


DIAGRAM 6

- 5 Finally, attach the last two connectors and push down to lock everything into place as shown in Diagram 7.

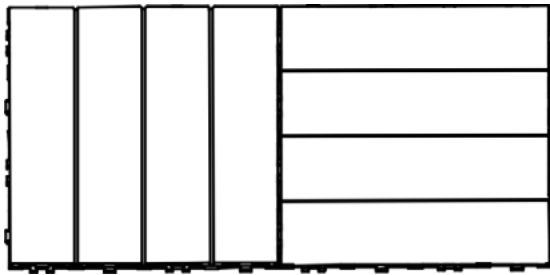


DIAGRAM 7

- 6 Repeat steps 1-5 until deck is completed.

### Removing Tiles:

- 1 If a tile needs to be removed, the best way is to first have one hand grip one tile's edge and the other to be on the adjacent tile as shown in Diagram 8.

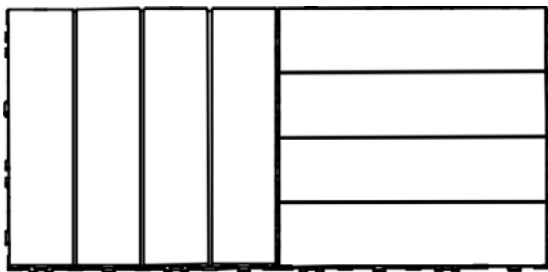


DIAGRAM 8

- 2 Next, with the gripping the tile pull up towards your body while the other hand pushes down on the adjacent tile as shown in Diagram 9.

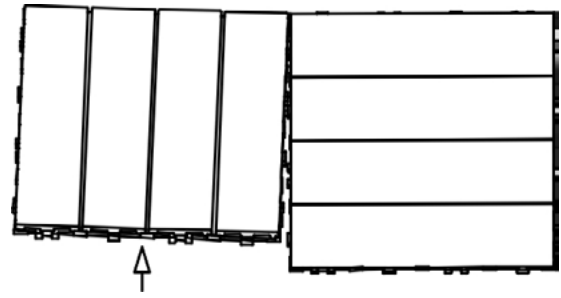


DIAGRAM 9

- 3 Continue to pull with the gripped hand until finally all connectors are separated from the adjacent tile as shown in Diagram 10.

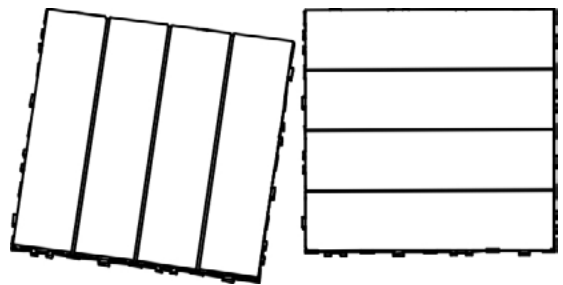


DIAGRAM 10

### Cutting

Cutting the Deck Tile is simple and quick. Just remember that you need a carbide tip blade when cutting.

### Corners/Edges

- 1 First, measure the corner/edge that will need to be cut as shown in Diagram 11.

**Note:** There must be at least a 1/2 inch gap (13 mm) between walls or any object to allow for expansion and contraction. Failure to do so could result in warping of the tile, buckling, or other damage.

This gap must be respected even when a trim or fascia is used on the deck tile.

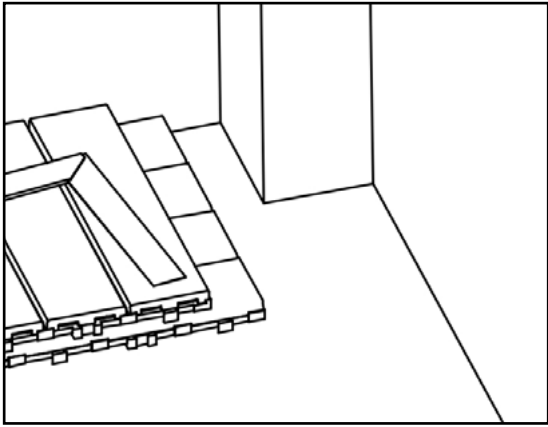


DIAGRAM 11

**2** Next, take the piece and redraw the measured area that you will be cutting onto the Deck Tile.

**3** Then, take the Deck Tile and cut either with a circular saw, table saw, hand saw, or jigsaw. Always remember to use a carbide tip blade on these tools as shown in Diagram 12 & 13. The final piece we cut for this corner is shown in Diagram 14.

**Note:** Before cutting, always turn the Deck Tile over and make sure that the cut lines you have marked on the Deck Tile do not cross over any screws on the back. Never ever should you be cutting through the screws. If your lines cross over these screws, first unscrew the screws and then cut the Deck Tile.

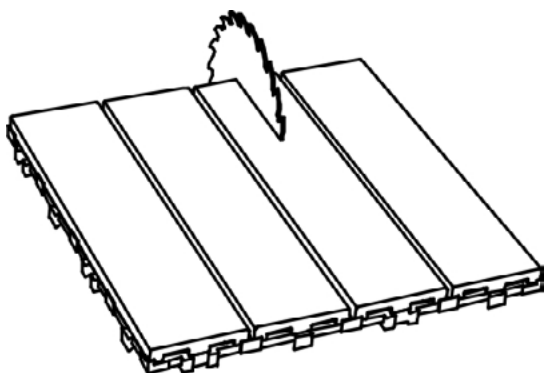


DIAGRAM 12

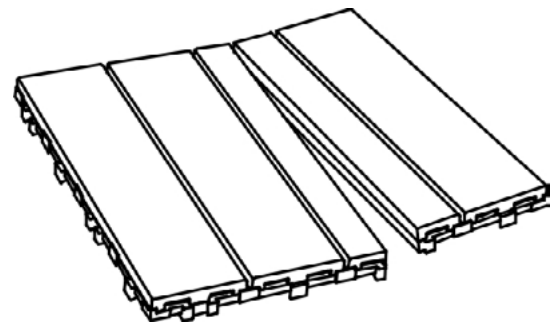


DIAGRAM 13

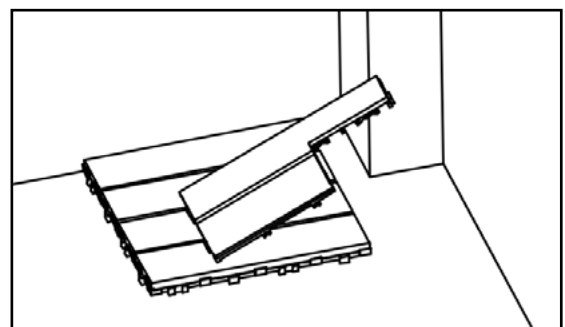


DIAGRAM 14

**4** Now, take the Deck Tile and sand down the sides of the cuts to make them smooth as shown in Diagram 15.

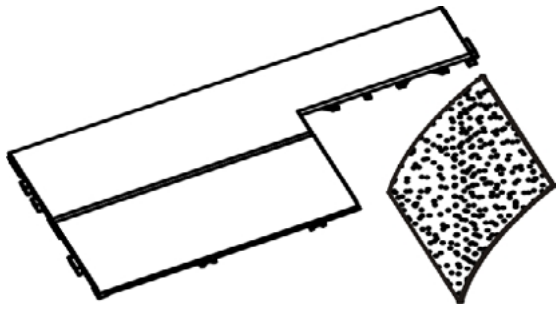


DIAGRAM 15

- 5 Finally, put the finished piece in its corner/ edge as shown in Diagram 16.

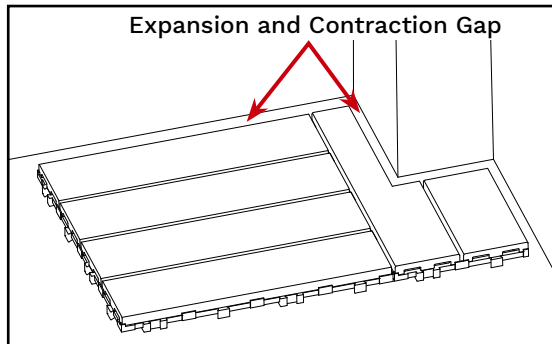


DIAGRAM 16

- 6 Repeat steps 1-5 for any other corners/ edges until the deck is completed.

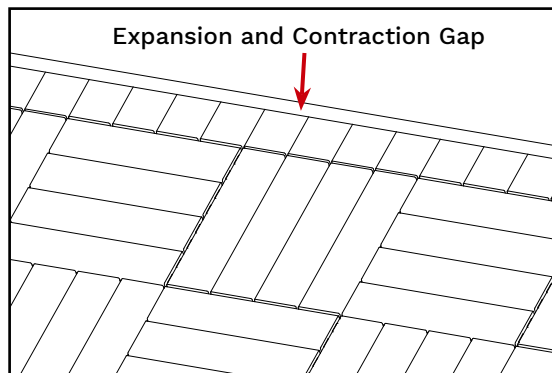


DIAGRAM 17

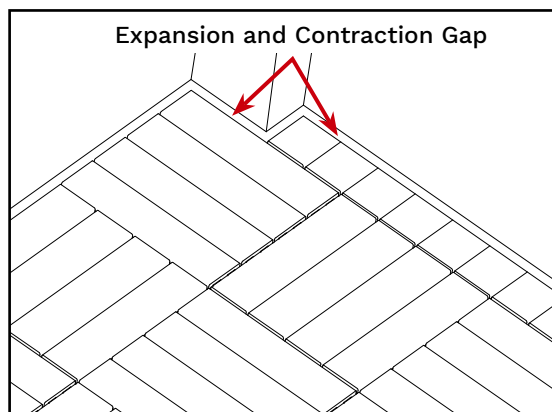


DIAGRAM 18

Note: There must be at least a 1/2 inch gap (13 mm) between walls or any object to allow for expansion and contraction. Failure to do so could result in warping of the tile, buckling, or other damage.

This gap must be respected even when a trim or fascia is used on the deck tile.

## Installing Trim

The Deck Tile has three different trim options: straight, inward and outward trim.

### Straight Trim

Place the straight trim as shown in Diagram 19 to finish the deck.

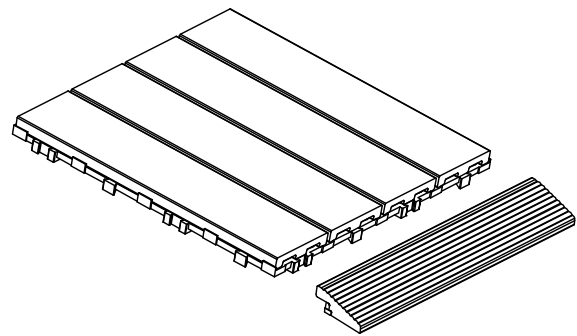


DIAGRAM 19

### Outward Trim

Place the outward trim as shown in Diagram 20 to finish the deck's corner.

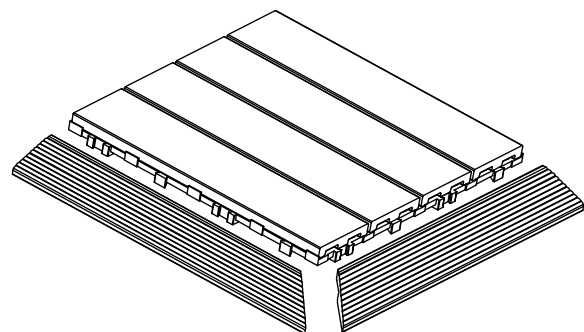


DIAGRAM 20

## Inward Trim

Place the inward trim as shown in Diagram 21 to finish the deck's corner.

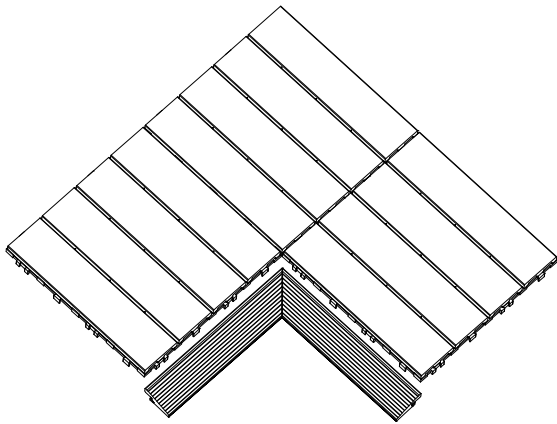


DIAGRAM 21

## Installing Fascia

The Deck Tile has three different fascia options: straight, inward and outward fascia.

### Straight Fascia

Place the straight fascia as shown in Diagram 22 to finish the deck.

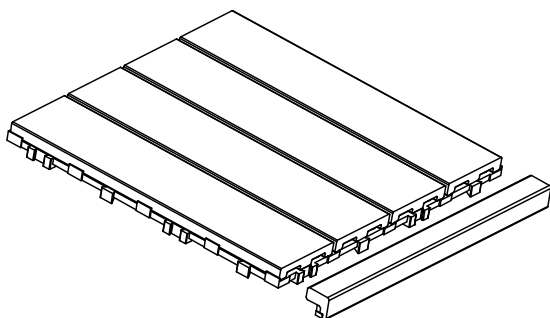


DIAGRAM 22

## Outward Fascia

Place the outward fascia as shown in Diagram 23 to finish the deck's corner.

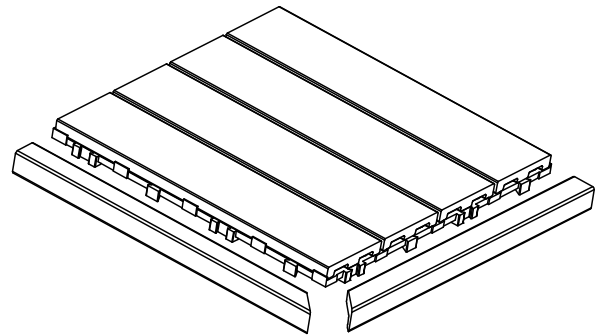


DIAGRAM 23

## Inward Fascia

Place the inward fascia as shown in Diagram 24 to finish the deck's corner.

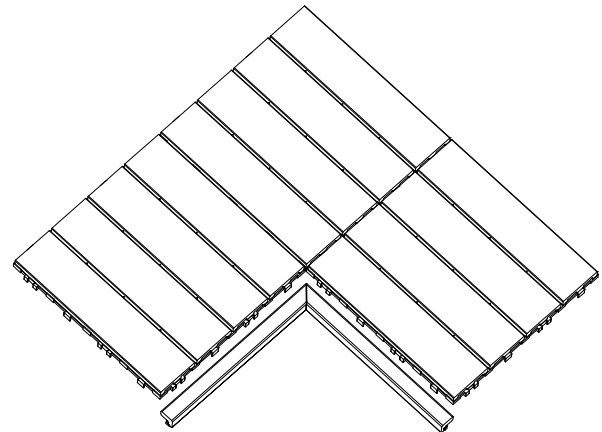


DIAGRAM 24



## Deck Tile Installation Guide

v20190426US

©2019 Huidong Meixin Plastic Lumber Products Manufacturing Co., Ltd.  
NewTechWood® is a registered trademark of Huidong Meixin Plastic Lumber Products Manufacturing Co., Ltd. To obtain a copy of the most current version of this installation guide, visit us online at [www.newtechwood.com](http://www.newtechwood.com).

